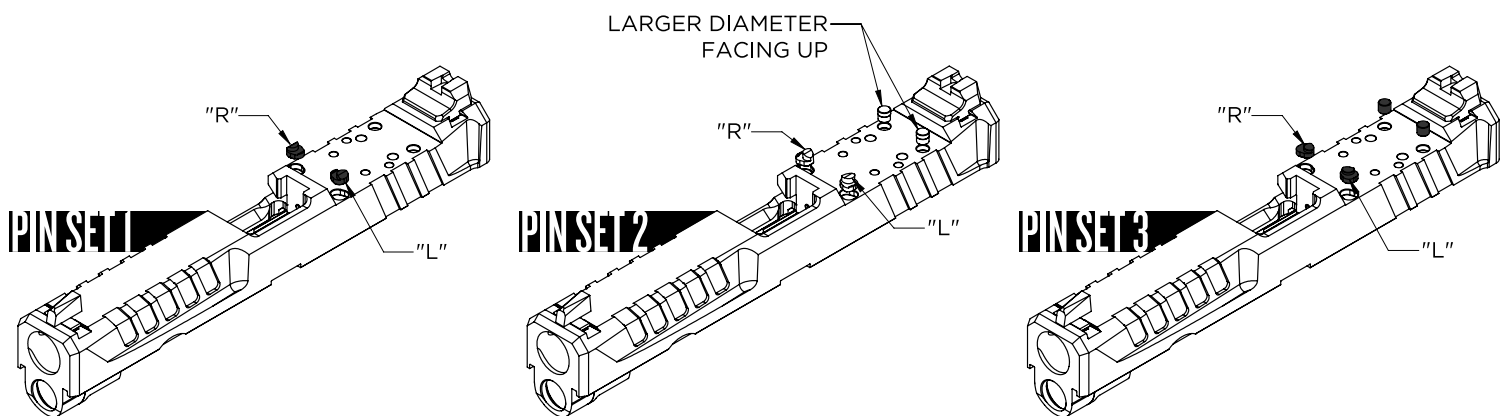


# VARIABLE INTERFACE SYSTEM

## PIN INSTALLATION

1. Locate the proper pin set labeled for the optic you intend to install. (See Fitment Chart)
2. If the optic has rear pin holes, install the round pins in the rear receptacles.

**NOTE:** Pin sets are packaged separately and intended for use with different optical sights. The pins which are already stored under the cover plate are used for the RMR® sight standard.



**WARNING**

**Never attempt to install sights with the slide on the frame.**



**WARNING**

**Make sure the firearm is completely unloaded, magazine removed & chamber clear.**